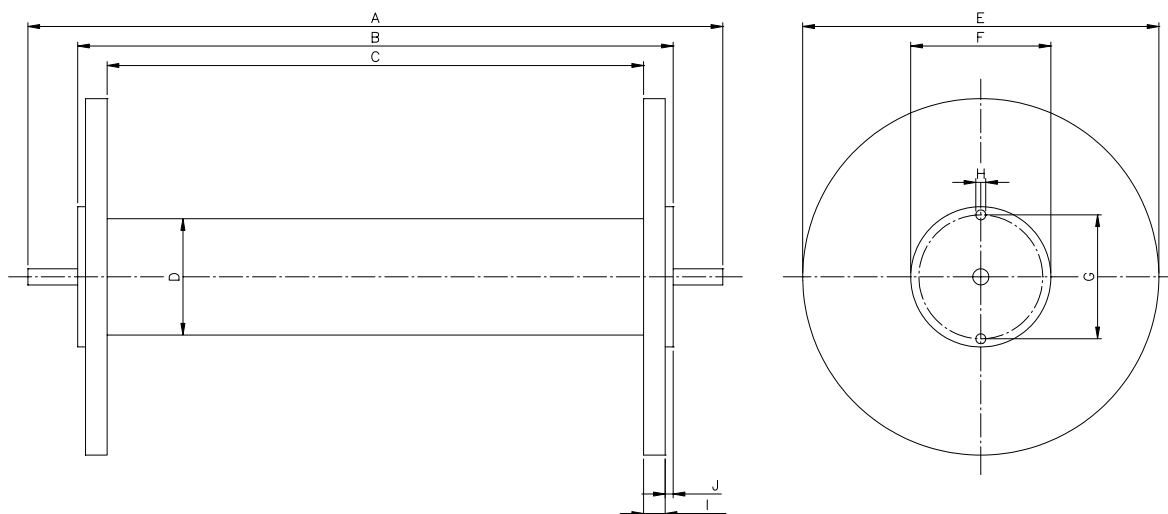


INFORMATION REGARDING BEAM SUPPLY FORMAT

Saint-Gobain Vetrotex glass filament yarns can be supplied on beams.

The beams are the property of Saint-Gobain Vetrotex.

When placing an order, the customer undertakes to make the beams available for collection by Saint-Gobain Vetrotex 6 weeks after reception.



Different beams supply dimensions in mm and *inches*

		A	B	C Barrel Length	D	E Flange diameter	G	Maximum number of ends
Standard beam	mm	1785	1530	1378	298,5	914,5	318	800
	<i>inches</i>	<i>70.28</i>	<i>60.24</i>	<i>54.25</i>	<i>11.75</i>	<i>36</i>	<i>12.52</i>	
Standard beam	mm	1785	1530	1378	298,5	1016	318	800
	<i>inches</i>	<i>70.28</i>	<i>60.24</i>	<i>54.25</i>	<i>11.75</i>	<i>40</i>	<i>12.52</i>	
“Jumbo” beam	mm	2065	1742	1625	298,5	914,5	318	1000
	<i>inches</i>	<i>81.3</i>	<i>68.56</i>	<i>64.00</i>	<i>11.75</i>	<i>36</i>	<i>12.52</i>	
“Jumbo” beam	mm	2268	1940	1829	298,5	914,5	318	1000
	<i>inches</i>	<i>89.3</i>	<i>76.37</i>	<i>72.00</i>	<i>11.75</i>	<i>36</i>	<i>12.52</i>	

The minimum number of ends depends on the yarn type and the run length.
Additional customer quality requirements must be agreed in writing.

Goods can be supplied on customers' yarn beams, subject to prior approval in writing.